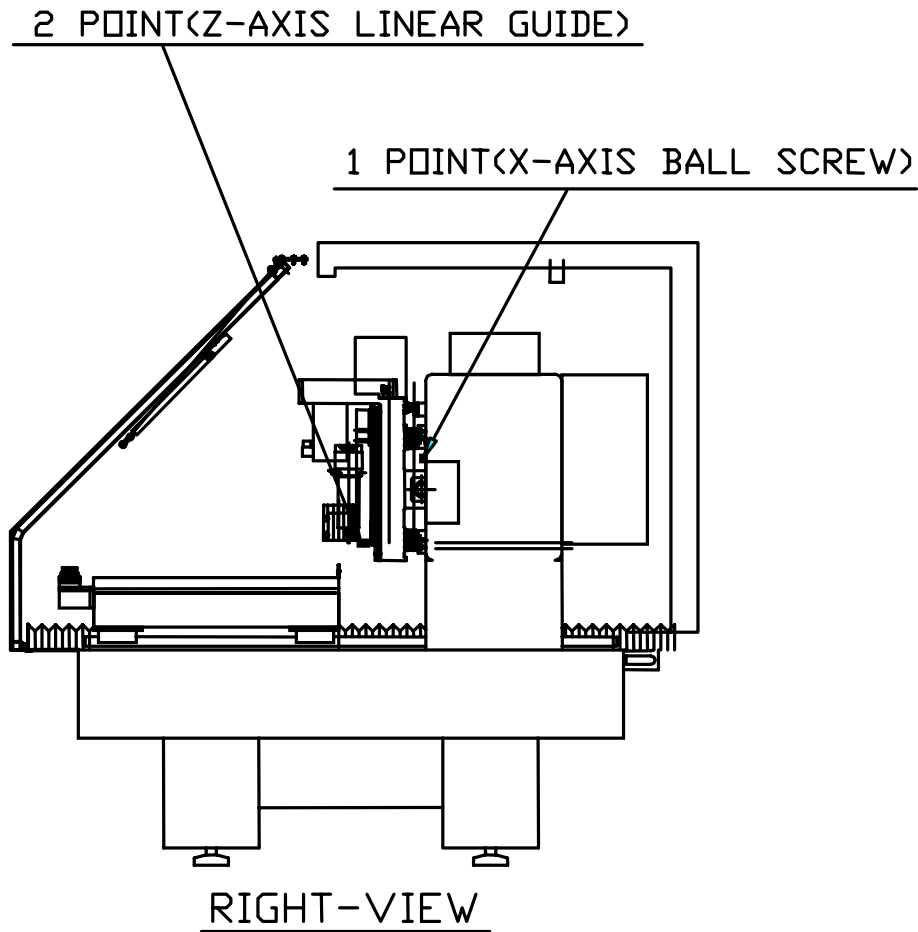


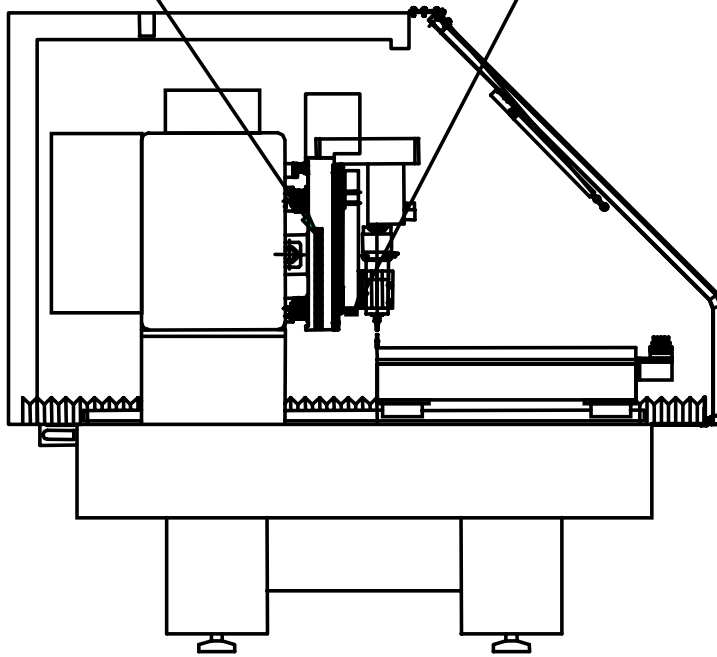
MODEL : PR-22284

The drawing of the position of the grease nipple

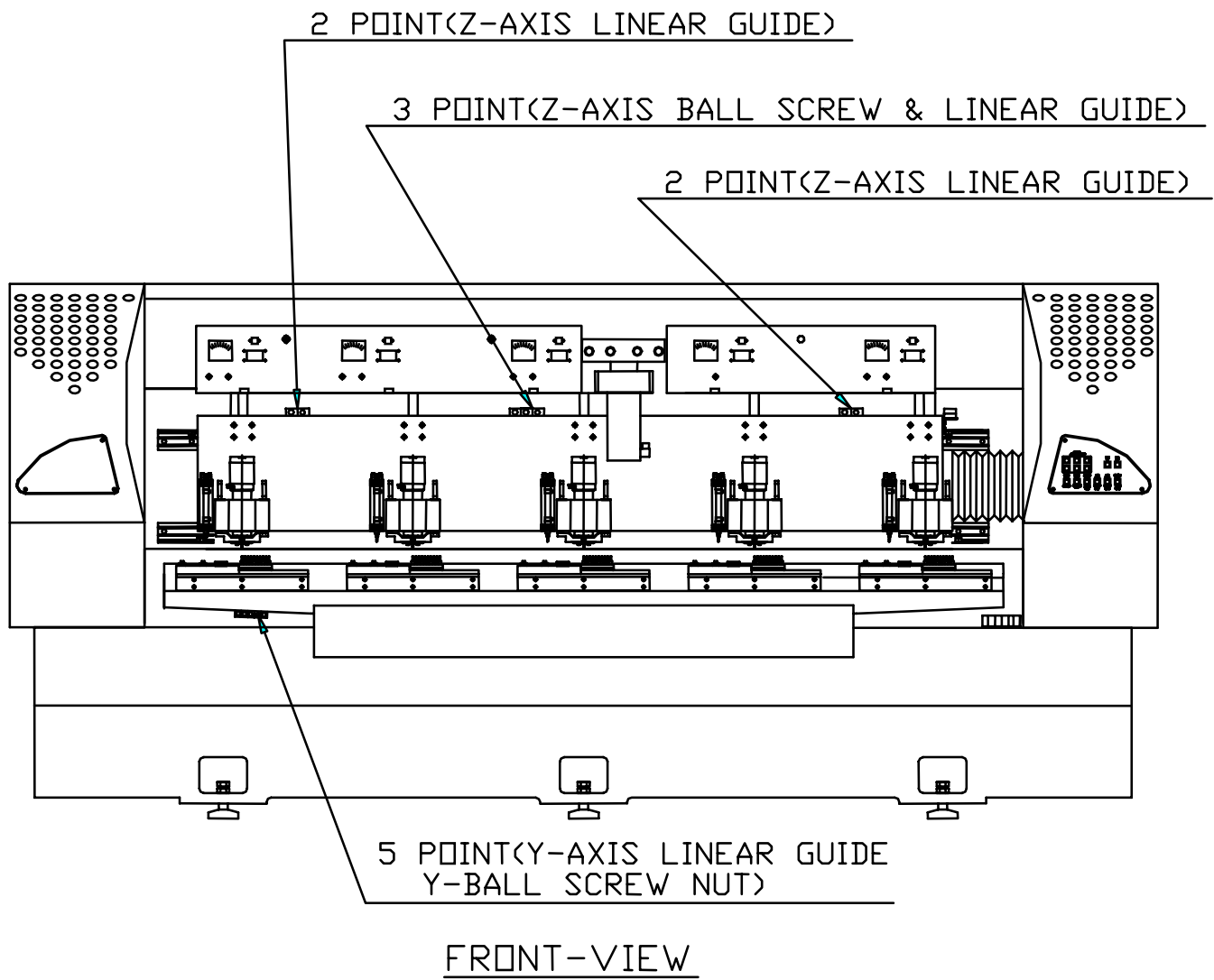


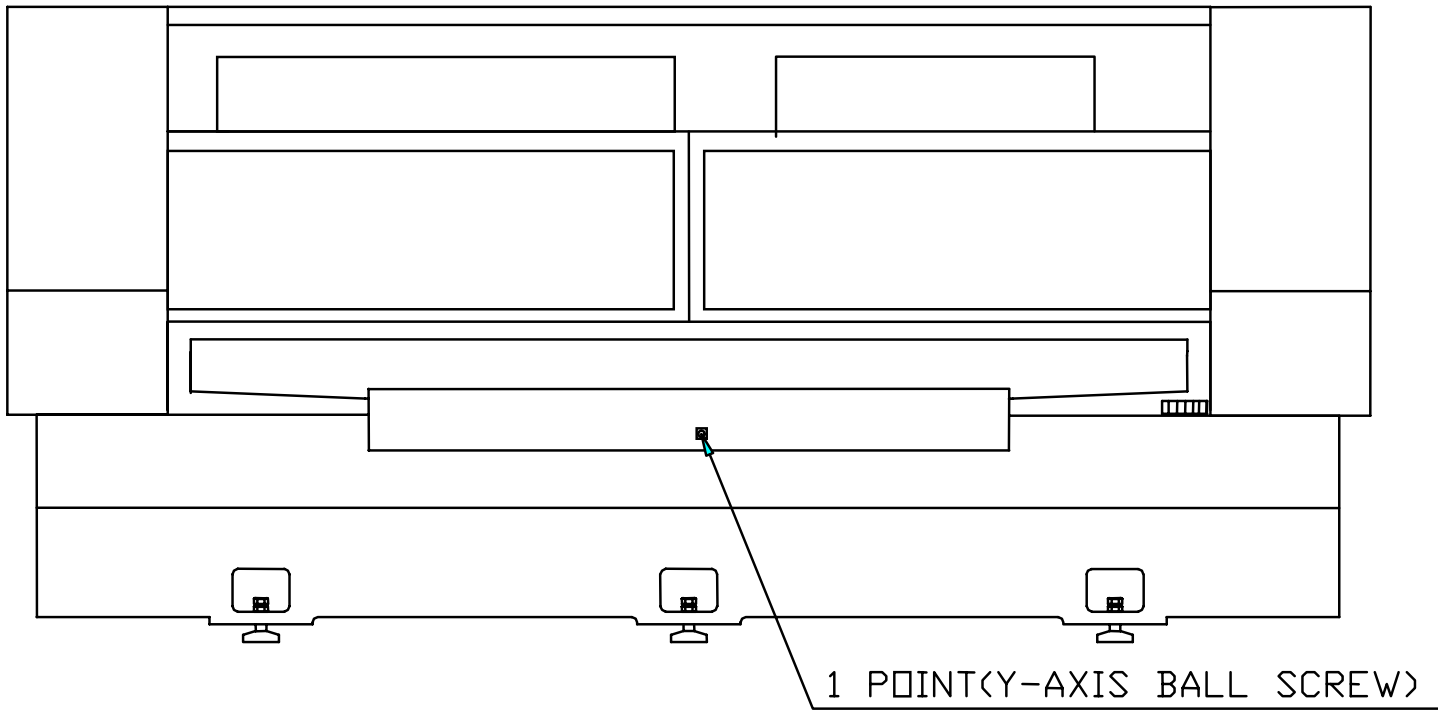
12 POINT<X-AXIS LINEAR GUIDE
& X-AXIS BALL SCREW NUT>

2 POINT<Z-AXIS LINEAR GUIDE>



LEFT-VIEW





FRONT-VIEW